

The Symbol of Excellence



This PC-7000 is shown with the power unit mounted on the rear deck and equipped with an optional power unit weather cover.



ENVIRONMENTAL INDUSTRY
ASSOCIATIONS



WASTE EQUIPMENT
TECHNOLOGY ASSOCIATION



Printed on Recycled Paper

Precrusher/Compactors 3, 4, 6, 7 & 9 Cubic Yard Capacities

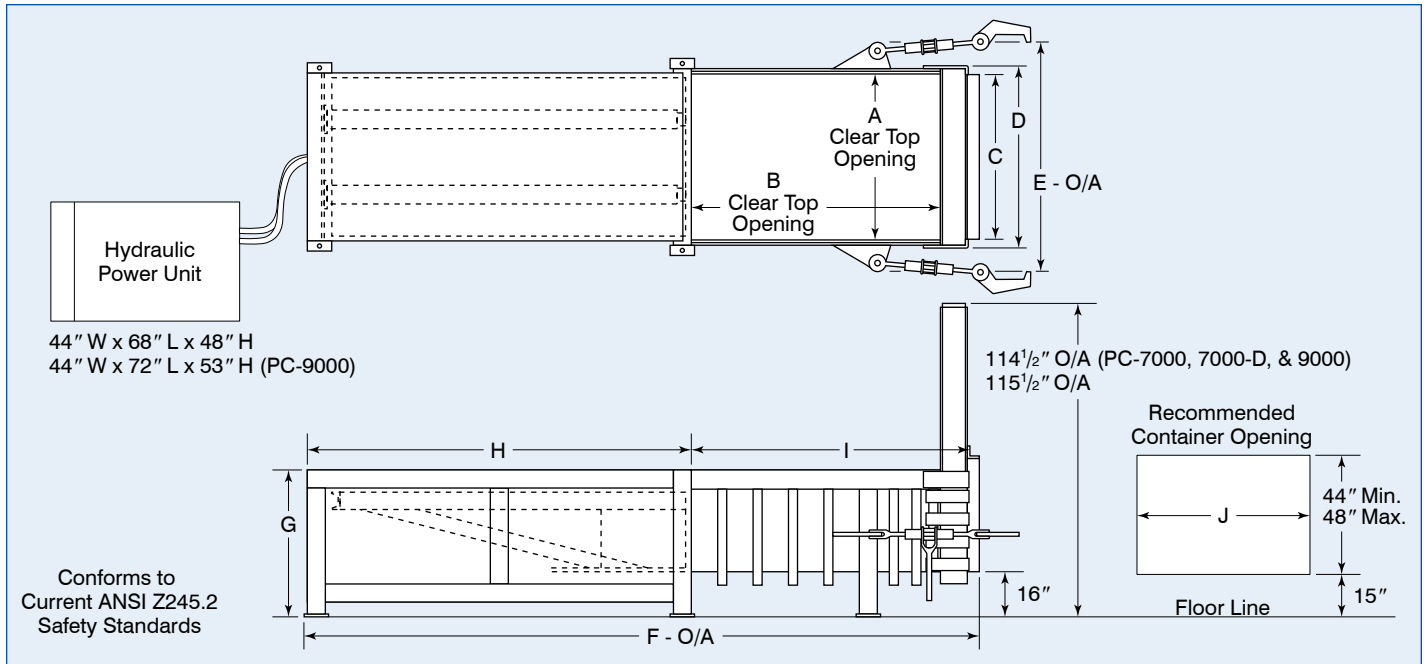


This assortment of difficult-to-compact refuse shown before and after compaction includes steel shipping crates, 55 gallon drums, 5 gallon pails, white goods, wooden spools and pallets.

We Build Equipment the Old Fashioned Way — "With Pride"

Best Built, Best Warranty

Precrusher/Compactor Model	Mfr's. Ratings (cu.yds.)	WASTEC Type Rating (cu. yds.)	Ram Stroke (in.)	Ram Penetration (in.)	Force Rating (Ram PSI at stated forces lbs.)		Hydraulic Syst. Pressure PSI		Ram Face (in.)		Volume Displacement (cu. yds. per hr.)		Motor H.P.	Cycle Time (sec.)		Base Unit Weight (lbs.)
					Normal	Max.	Normal	Max.	Width	Height	Precrusher	Compactor Only		Precrusher	Compactor Only	
PC-3000	3	2.3	74	16	56.5/101,800	66.0/118,800	1800	2100	60	30	147	222	30	54	36	20,900
PC-3000-D	3	2.3	74	16	76.9/138,500	89.8/161,600	1800	2100	60	30	115	157	30	69	51	21,150
PC-4000	4	2.9	90	16	56.5/101,800	66.0/118,800	1800	2100	60	30	169	239	30	62	44	22,500
PC-4000-D	4	2.9	90	16	76.9/138,500	89.8/161,600	1800	2100	60	30	131	169	30	80	62	22,900
PC-6000	6	3.86	116	16	56.5/101,800	66.0/118,800	1800	2100	60	30	188	248	30	74	56	24,500
PC-6000-D	6	3.86	116	16	76.9/138,500	89.8/161,600	1800	2100	60	30	143	176	30	97	79	24,900
PC-7000	7	5.1	116	16	42.4/101,800	49.5/118,800	1800	2100	80	30	248	328	30	74	56	27,300
PC-7000-D	7	5.1	116	16	57.7/138,500	67.3/161,600	1800	2100	80	30	189	233	30	97	79	27,700
PC-9000	9	6.9	150	16	57.7/138,500	67.3/161,600	1800	2100	80	30	292	382	50	85	65	31,700



Standard Specifications

Dimension	PC-3000 & D	PC-4000 & D	PC-6000 & D	PC-7000 & D	PC-9000
A - Clear Top Width	56	56	56	76	76
B - Clear Top Length	47.75	64	89.5	89.5	123.75
C - Chamber Outside Width	61.5	61.5	61.5	82.5	82.5
D - Gate Outside Width	69.75	69.75	69.75	89.75	89.75
E - O/A Width	81	81	81	101	101
F - O/A Length	160	194	247	247	324
G - Deck Height	51.5	51.5	51.5	51.5	51.5
H - Deck Length	96	116	142	142	182
I - Chamber Length	58	74	100	100	134
J - Cont. Opening Width	63" Min. / 68" Max.	63" Min. / 68" Max.	63" Min. / 68" Max.	83" Min. / 88" Max.	83" Min. / 88" Max.

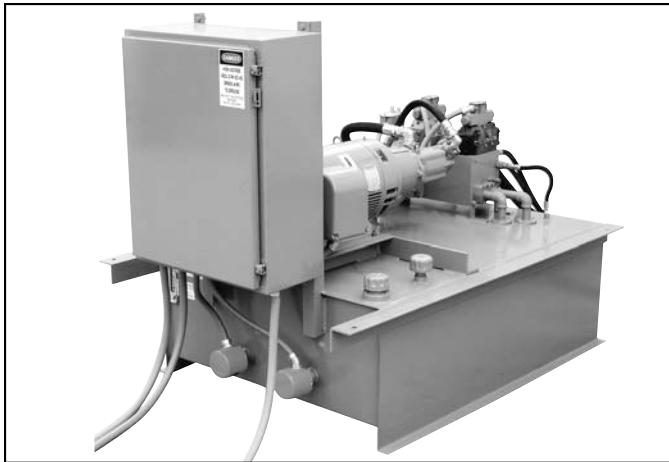
Compactor Material Specifications

Frame: Floor	5/8"	5/8"	5/8"	5/8"	1"
Floor Supports	(1) 5" x 5" x 3/8" Tube (6) S 4 x 7.7#	(1) 5" x 5" x 3/8" Tube (7) S 4 x 7.7#	(1) 5" x 5" x 3/8" Tube (9) S 4 x 7.7#	(1) 5" x 5" x 3/8" Tube (12) S 5 x 10#	(1) 8" x 6" x 1/2" Tube (16) S 6 x 12.5#
Sides	1/2"	1/2"	1/2"	1/2"	1/2"
Side Supports	(4) 3" x 3" x 1/4" Tube (2) 6" x 3" x 1/4" Tube (1) 8" x 3" x 1/4" Tube	(5) 3" x 3" x 1/4" Tube (2) 6" x 3" x 1/4" Tube (1) 8" x 3" x 1/4" Tube	(7) 3" x 3" x 1/4" Tube (2) 6" x 3" x 1/4" Tube (1) 8" x 3" x 1/4" Tube	(7) 3" x 3" x 1/4" Tube (2) 6" x 3" x 1/4" Tube (1) 8" x 3" x 1/4" Tube	(8) 3" x 3" x 1/4" Tube (2) 8" x 3" x 1/4" Tube (1) 10" x 3" x 1/4" Tube
Main Breaker Bar	1-1/2" x 8" Vertical Cold Rolled Steel Bar				
Secondary Breaker Bar	8" x 6" x 1" Steel Angle				
Ram: Face	3/4"	3/4"	1"	1"	1"
Floor	3/4"	3/4"	1"	1"	1"
Top	1/2"	1/2"	1/2"	1/2"	1/2"
Top Supports	(13) C 5 x 6.7#	(13) C 5 x 6.7#	(16) C 6 x 13#	(15) C 6 x 13#	(18) C 6 x 13#
Sides	3/8"	3/8"	3/8"	3/8"	3/8"
Guides	Adjustable Nylatron Blocks				

Precrusher Material Specifications

Frame:	Gate Track Fabricated from 1" Cold Rolled, Steel Bar				
Gate: Front Wall	1/2"	1/2"	1/2"	1/2"	1/2"
Rear Wall	1"	1"	1"	1"	1"
Supports	6" x 6" x 3/8" and 6" x 4" x 3/8" Structural Steel Tubes				

Features



Precruiser/Compactor Remote Power Unit

To protect the power unit from weather, accidents, and vandalism; it can be placed in any convenient location including on the deck of the compactor.

Standard Features

- Removable Access Panels
- Ratchet Binders and Hooks
- Remote Power Unit
- Reservoir: PC-3000 & D, 4000 & D, 6000 & D, 7000 & D - 140 Gallon
PC-9000 - 200 Gallon
- Oil - All Weather Hi-grade (-40° F Pour Point)
- Oil Sight Gauge with Thermometer
- Cylinders: PC-3000, 4000, 6000, 7000 - (2) 6" Bore x 4.5" Rod
PC-3000-D, 4000-D, 6000-D, 7000-D, & 9000 - (2) 7" Bore x 5" Rod
- Pump: PC-3000 & D, 4000 & D, 6000 & D, 7000 & D - 18/25.5 GPM, Hi-Lo, Vane; PC-9000 - 21/45 GPM, Hi-Lo, Vane
- UL Listed Electrical Components
- Motor: PC-3000 & D, 4000 & D, 6000 & D, 7000 & D - 30 HP 230/460 3PH
PC-9000 - 50 HP 460 3PH
- Automatic Multicycle System
- Full/Jam Automatic Shut-off
- Adjustable Timer Inside the Main Control Panel to Set 1-8 Precrush Cycles
- Keyed Pinning Boost/Override & Precruiser Gate/Compactor Ram Jog Control Station Mounted on the Front Left Hand Side of the Machine
- Remote Control Station:
 - Key Lock On/Off Switch
 - Start Push Button
 - Stop Push Button with Container Full Light
 - Compactor/Precruiser Selector Switch

Optional Features

- Decks - 1,000#, 10,000# and Special Capacities
- Safety Hand and Toe Rails
- Safety Gate with Interlock
- Side or Rear Load Hopper
- Full Enclosure
- Transfer Station Hopper
- Transfer Trailer Loading Stand
- Hydraulic Cart Dumper System
- Pinning Tunnel(s) Built into the Ram Face
- Ram & Compaction Chamber Bar Grating for High Volume Wood Waste
- Container Guide System
- Through Wall Ratchet Binder System
- Safety Interlock System
- Deodorizer Spray System
- UL Certified Panel
- Advance Full Load Indicator
- TEFC Motor
- Low/Hot Oil Shutdown with Indicator
- Thermo Oil Heater
- Power Unit Weather Shield or Cover

Ask Your Local Dealer for Additional Options

Standard Controls

The remote controls consist of a Key Lock On/Off Switch, Start Button, Stop Button, Compactor/Precruiser Mode Switch, and Container Full Warning Light.



This control head is shown with an optional Hot/Low Oil Indicator.



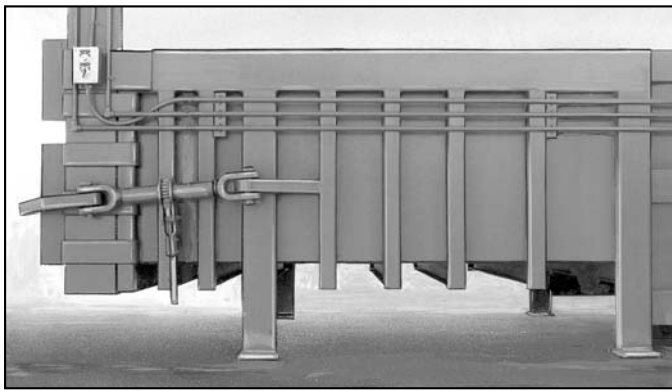
Pinning/Boost Override & Precruiser Gate/Compactor Ram Jog System Controls

These controls are mounted on the left-front of the compactor charge opening. This system is key activated and allows the operator to manually extend and retract the ram, raise and lower the gate, and boost the pressure for pinning the container. The Pinning/Boost Override System provides additional force to clear the compaction chamber allowing the hauler to pin the refuse load into the container for transportation.

!CAUTION! This Equipment Should Be Operated By Properly Trained Personnel. Improper Use, Misuse or Lack of Maintenance could cause injury to people and/or property. Photos used in this brochure are illustrative only. Due to its commitment to quality SP Industries' specifications are subject to change without notice to accommodate improvements to its equipment. Information contained within this literature is intended to be the most accurate available at the time of printing.

Best Built, Best Warranty

- 3, 4, 6, 7 & 9 cubic yard capacity models
- Designed for heavy industrial and transfer station applications
- Standard controls for precrusher or compactor-only operation
- Up to 8 precrush cycles to break down difficult-to-compact material
- "Compactor Only" mode reduces the cycle time and increases the throughput of refuse into the compaction container
- Integrated unit for maximum strength and integrity; the [PRECRUSHER GATE IS NOT AN ADD-ON](#) to a standard compactor
- Construction of AISI grade steel and structural steel reinforcements
- Hydraulic and electrical components specified for their reliability and availability
- Engineering and design services available for both standard and special applications
- Meets or exceeds current ANSI Z245.2 Safety Standards for Compaction Equipment
- Industry's leading warranty
 - Three years on ram and frame weldment
 - One year on hydraulic and electrical components
 - Parts and labor

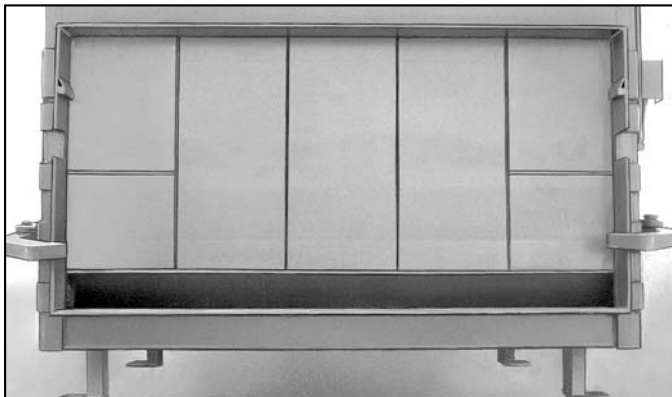


Precrusher/Compactor Compaction Chamber Supports

The charge chamber is constructed with AISI grade steel plates and supported with structural steel tubes on the sides and I-beams on the bottom. The precrusher gate track is fabricated from 1" cold rolled steel bar.

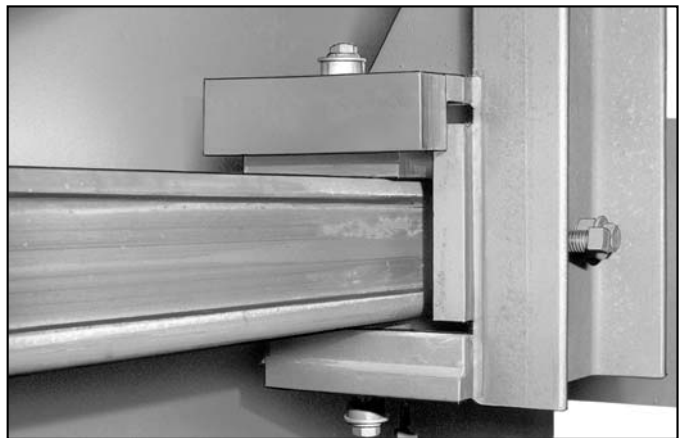
Front Wall of the Gate and the Wear Plates

The front wall of the precrusher gate is constructed with 1/2" steel plates. The lower sections of the outside plates are removable wear liners and cylinder access panels.



Nylatron Ram Guide System

The ram guide system is constructed with a set of Nylatron blocks that run along a steel tube on each side of the ram. This guide system maintains the ram against bucking and fishtailing during operation.



Ram Wiper Blade

The floating wiper blade is a 1" x 3/8" steel bar attached to a hinged mechanism that allows it to ride on top of the ram. The wiper cleans the top of the ram during backward movement to prevent material build-up behind the ram.

Distributed By:



SP INDUSTRIES, INC.
2982 Jefferson Rd.
Hopkins, MI 49328
Web: sp-industries.com

Phone: 269-793-3232
Toll Free: 800-592-5959
Fax: 269-793-7451
E-mail: info@sp-industries.com