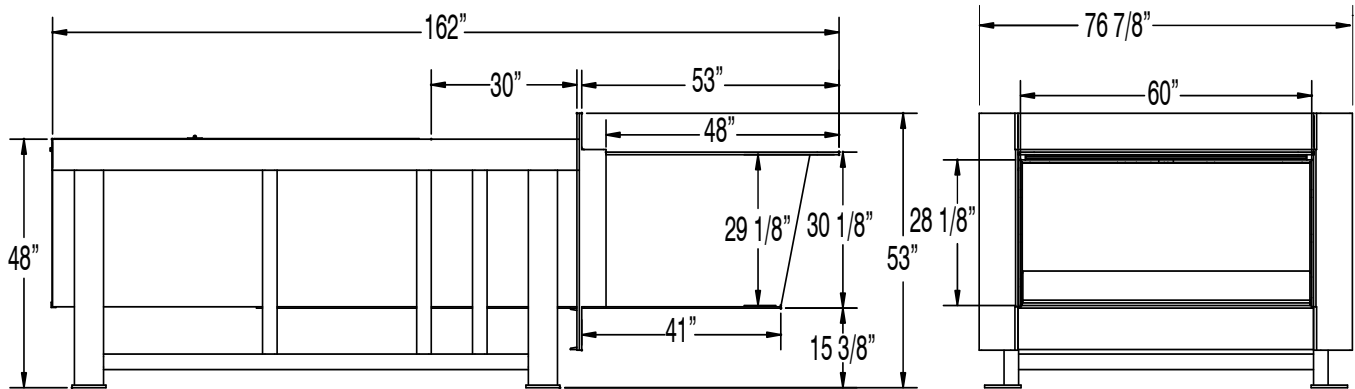


**Compactor Specifications**  
**Model CP-125FW**  
**1.25 Cu. Yd. Capacity, Commercial Stationary Compactor**



**Material Specifications**

**Frame**

Floor Plate, Work Hardening Steel.....	1/2"
Floor Plate Supports.....	S 3 x 5.7#
Side Plates.....	3/8"
Side Reinforcements.....	(4) TS 6" x 3" x 1/4" & (6) TS 3" x 3" x 1/4"
Breaker Bar.....	1-1/2" x 8" Vertical & 1" x 4-1/2" Horizontal Bar
Ram Hold Down Bars.....	1" x 1" Bar
Load Binders.....	160,000# Capacity

**Ram**

Face Plate.....	3/4"
Floor Plate.....	1/2"
Side Plates.....	1/4"
Top Plate.....	3/8"
Top Plate Reinforcement.....	C 4 x 5.4#
Nylatron Side Guide System	

**Specifications**

Wastec Type Rating (Cu. Yds.).....	1.08
Cycle Time (Seconds).....	106
Capacity Per Hour (Cu. Yds.).....	37
Clear Top Opening L x W (Inches).....	30 x 58
Ram Penetration (Inches).....	42
Ram Face Dimensions (Inches).....	60 x 28
Ram Force Rating @ Stated Forces PSI/Total Force (Lbs.)	
Normal.....	57.1/95,900#
Operating Pressure (PSI)	
Normal.....	1,800
Cylinder Bore, Rod & Stroke (Inches).....	7 x 5 x 116
Motor (HP).....	20
Pump (GPM).....	16
Oil Reservoir Capacity (Gallons).....	40
Shipping Weight (Lbs.), Less Power Unit.....	9,992#

