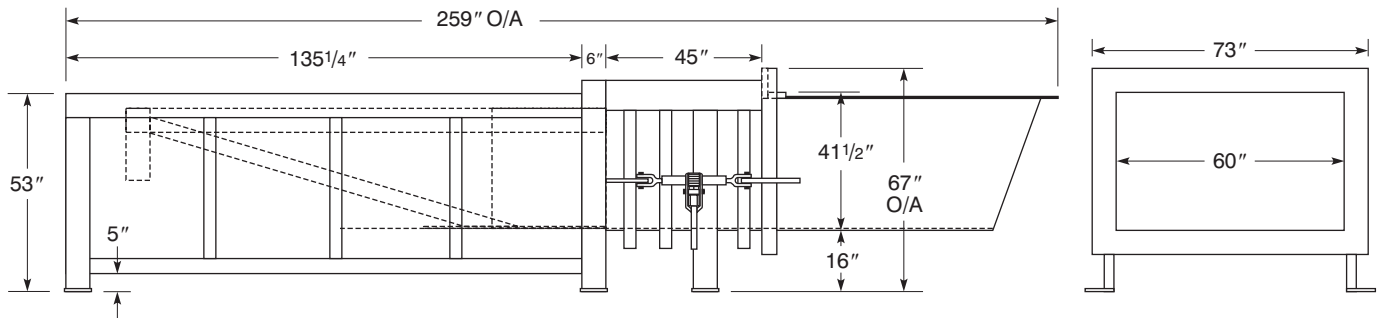


Compactor Specifications
Model CP-155FW
1.55 Cu. Yd. Capacity, Commercial Stationary Compactor



Material Specifications

Frame

| | |
|-----------------------------------|------------------------------------------|
| Floor Plate, Work Hardening Steel | .1/2" |
| Floor Plate Supports | S 4 x 7.7# |
| Side Plates | .1/2" |
| Side Reinforcements | TS 6" x 3" x 1/4" & TS 3" x 3" x 1/4" |
| Breaker Bar | Angle 8" x 6" x 1" |
| Ram Hold Down Bars | .1" x 1-1/2" Bar |
| Load Binders | .90,000# Capacity |

Ram

| | |
|----------------------------|------------|
| Face Plate | .3/4" |
| Floor Plate | .3/4" |
| Side Plates | .3/8" |
| Top Plate | .3/8" |
| Top Plate Reinforcement | C 6 x 8.2# |
| Nylatron Side Guide System | |

Specifications

| | |
|---------------------------------------------------------|------------------|
| Wastec Type Rating (Cu. Yds.) | .1.85 |
| Cycle Time (Seconds) | .69 |
| Capacity Per Hour (Cu. Yds.) | .97 |
| Clear Top Opening L x W (Inches) | .41 x 57 |
| Ram Penetration (Inches) | .71 |
| Ram Face Dimensions (Inches) | .60 x 32 |
| Ram Force Rating @ Stated Forces PSI/Total Force (Lbs.) | |
| Normal | .36.1/69,300 |
| Maximum | .40.1/77,000 |
| Operating Pressure (PSI) | |
| Normal | .1,800 |
| Maximum | .2,000 |
| Cylinder Bore, Rod & Stroke (Inches) | .(1) 7 x 5 x 116 |
| Motor (HP) | .20 |
| Pump (GPM) | .25 |
| Oil Reservoir Capacity (Gallons) | .75 |
| Shipping Weight (Lbs.), Less Power Unit | .10,619 |

SP Industries, Inc., 2982 Jefferson Rd., Hopkins, MI 49328
 Phone: 800-592-5959, or (269) 793-3232, Fax (269) 793-7451



CP-155FW 5/08